

NOTE: Read the entire instruction manual before you start installation and assembly.

⚠ WARNING

IMPORTANT: If any items are missing or damaged or you have any questions about instructions or warnings, please contact support@cablematters.com

CAUTION: Use with products heavier than the rated weights indicated may result in injury or damage to property. Check the VESA rating of your TV.

The TV Mount must be installed and used ONLY as specified in this manual. Improper installation may result in injury or damage to property.

Safety gear, proper tools, and assistance in lifting and placement of the equipment must be used. Installers should fully understand the manual, have good mechanical ability and basic building experience.

If mounting to wood wall studs, make sure that mounting screws are anchored into the center of the studs. The use of a stud finder is highly recommended.

Over-tightening can cause damage to the screws or screw holes. This greatly reduces their ability to hold the weight load.

This product contains small items that may be a choking hazard. Keep away from children!

This product is intended for indoor use only. Using this product outdoors could lead to injury or damage to property.

MAINTENANCE: Regularly check that the brackets and mounting hardware are secure and safe to use (at least every three months).

Copyright and Trademarks

Specifications are subject to change without notice. Cable Matters is a registered trademark or trademark of Cable Matters Inc. All rights reserved.

This manual may make reference to trademarks, registered trademarks, and other protected names and/or symbols of third-party companies not related in any way to Cable Matters. Where they occur these references are for illustrative purposes only and do not represent an endorsement of a product or service by Cable Matters, or an endorsement of the product(s) to which this manual applies by the third-party company in question. Cable Matters hereby acknowledges that all trademarks, registered trademarks, service marks, and other protected names and/or symbols contained in this manual and related documents are the property of their respective holders.

Warranty Information

This product is backed by a lifetime warranty. In addition, Cable Matters warrants its products against defects in materials and workmanship for the periods noted, following the initial date of purchase. During this period, the products may be returned for repair, or replacement with equivalent products at our discretion. The warranty covers parts and labor costs only.

Cable Matters does not warrant its products from defects or damages arising from misuse, abuse, alteration, or normal wear and tear.

Limitation of Liability

In no event shall Cable Matters Inc. (including their officers, directors, employees or agents) be liable for any damages (whether direct or indirect, special, punitive, incidental, consequential, or otherwise), loss of profits, loss of business, or any pecuniary loss, arising out of, or related to the use of this product exceeding the actual price paid for the product. Some states do not allow the exclusion or limitation of incidental or consequential damages. If such laws apply, the limitations or exclusions contained in this statement may not apply to you.

Cable Matters is a registered trademark or trademark of Cable Matters Inc. All rights reserved.

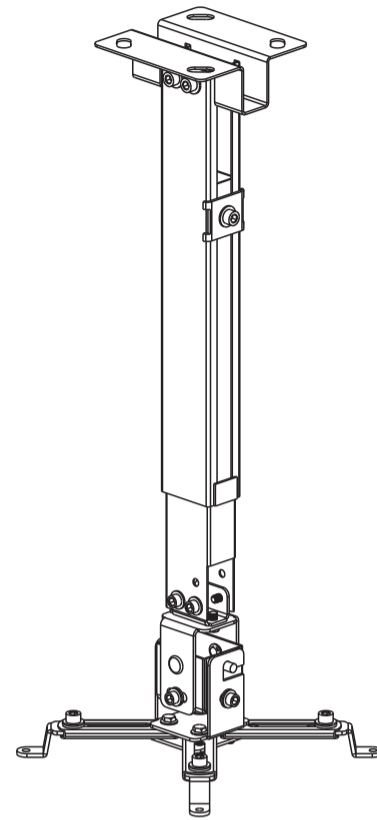
Customer Support

Cable Matters offers lifetime technical support as an integral part of our commitment to provide industry leading solutions. Email us with questions at support@cablematters.com.

Projector Ceiling or Wall Mount



INSTALLATION MANUAL



106009

